

**2493-DK**

## **Playset Accessory INSTRUCTIONS**

**This Accessory product is only to be used with a Backyard Play System Playset, including Yardline Play System and Heartland Play Systems.**

**- NOTICE -**

**This playset product is not intended for public use. It is intended for residential application and is not warranted for public or commercial use.**



**Call Us First!**

**DO NOT RETURN TO STORE.**

For immediate help with assembly or product information  
call our toll-free number:

1-866-890-2211

or email:

[customerservice@backyard-play.com](mailto:customerservice@backyard-play.com)

**Our staff is ready to provide assistance.**

(This page intentionally left blank.)

Customer Service  
1-866-890-2211  
1000 Ternes  
Monroe, MI 48162

## Backyard Play Systems Tire Swing

Model 4063  
Model 6063

Recommended for Ages 3 to 11

### - BEFORE YOU BEGIN -

#### Tools Required

9/16" Socket

Ratchet

Socket Extension

7/16" Allen  
Wrench

Screwdriver

Hand Wrenches

Pliers

#### First...

- Please read all installation instructions before beginning assembly of this option.

#### Check All Parts

- If a part is missing, circle the part in question and call.

#### Important

- In a drawing, a dotted line represents a part hidden from view (like a part under a panel).

#### Safety!

- Check for protruding screws and bolts, verify all screw and bolt lengths during assembly.

**Always wear OSHA-APPROVED safety glasses throughout assembly process.**



### - NOTICE -

**This playset product is not intended for public use. It is intended for residential application and is not warranted for public or commercial use.**

## ASSEMBLY SAFETY and HELPFUL HINTS

STOP!

**STOP!!! Check all parts and hardware before beginning. If any parts are missing or damaged please circle and call the phone number listed. DO NOT CONTACT THE STORE OR RETURN YOUR PLAYSET ACCESSORY!**

STOP!

**KEEP THIS INSTALLATION MANUAL FOR FUTURE CARE AND MAINTENANCE REFERENCE.**




**To aid in making your playset assembly easier, here is a listing of some helpful hints.**

- Wear safety glasses during drilling, assembly of your playset accessory.
- Children should not be allowed in the playset or accessory assembly and build area.
- Note the hole orientation on parts to avoid mis-assembly.
- Some steps require the assistance of two people to ensure proper assembly, safety during assembly, as well as preventing any damage to the playset accessory.



### **\*IMPORTANT HARDWARE INFORMATION\***



- All hex bolts and lag screws require a lock washer or lock nut.
-   To properly install lock nuts, three threads minimum must protrude past the lock nut and be exposed once tightened.
- Acorn nuts provide protection in case screw threads protrude past a surface. Extra acorn nuts are provided for this reason. Please be certain to use these acorn nuts in the event this condition arises.
-   Due to wood characteristics and the manufacturing process hex bolts may protrude past a surface. If this condition occurs add additional supplied washers to eliminate bolt protrusion.
-   Make sure all fasteners are installed and tightened as specified. Using a fastener not specified in a particular application may result in too much thread exposure or not enough thread engagement.

# SAFETY WARNINGS

STOP!

Please read carefully. Observing the following statements and warnings reduces the likelihood of serious or fatal injury.

STOP!

- This playset accessory is recommended for children (3) through (11) years of age.
- On-site adult supervision for children of all ages is recommended.
- Instruct children not to walk close to, in front of, behind, or between moving items.
- Instruct children not to twist swing chains or ropes or loop them over the top support bar since this may reduce the strength of the chain or rope.
- Instruct children to avoid swinging empty seats.
- Teach children to sit in the center of the swings with their full weight on the seats.
- Instruct children not to use the equipment in a manner other than intended.
- Instruct children not to get off equipment while it is in motion.
- Parents should dress children appropriately (examples would include the use of well-fitting shoes and the avoidance of ponchos, scarves, and other loose-fitting clothing that is potentially hazardous while using equipment).
- Instruct children not to climb when the equipment is wet. Slippery surfaces may cause a hazard.
- Verify that suspended climbing ropes, chain, or cable are secured at both ends.
- Verify that suspended climbing ropes, chain, or cable cannot be looped back on itself.
- Instruct children not to attach items to the playground equipment that are not specifically designed for use with the equipment, such as, but not limited to, jump ropes, clothesline, pet leashes, cables and chain as they may cause a strangulation hazard.
- Instruct children to remove their bike or other sports helmet before playing on the playground equipment.
- Instruct children to not walk or run up slides.
- Instruct children to not pick up slides or ramps as this may cause damage or breakage.
- Place the equipment on level ground not less than six (6) feet from any obstructions. Be sure to look overhead for any obstructions above the playset.
- Do not use the equipment until fully erected per this playset instruction manual, bolts tightened and the playset is anchored to the ground.

## NOTICE:

**This playset product is not intended for public use. It is intended for residential application and is not warranted for public or commercial use.**


# MAINTENANCE

STOP!

**Periodic maintenance is required to ensure safe enjoyment of your playset and optional accessories.**

STOP!

**Observing the following procedures reduces the likelihood of serious or fatal injury.**

- Activity on your playset and optional accessories may loosen fasteners. Check all lock nuts, hex and lag bolts, quick clips, spring clips, acorn nuts, wood screws, and swing hangers for tightness and tighten as required. T-nuts should be inspected for full and proper seating into the wood.**
-   Checking, splitting and surface cracking are characteristics of all wooden playsets. This is caused by varying seasonal temperatures and moisture conditions. To minimize this checking and/or cracking you may coat your playset with a water repellent.

## PLAYSET CHECKLIST

### At the beginning of each play season:

- Tighten all hardware.
- Lubricate all metallic moving parts per manufacturer's instructions.
- Check all protective coverings on bolts, pipes, edges, and corners. Replace if they are loose, cracked, or missing.
- Check all moving parts including swing seats, ropes, cables, and chains for wear, rust, or other deterioration. Replace as needed.
- Check metal parts for rust. If found, sand and repaint using a nonleaded-based paint meeting the requirements of 16 CFR 1303.
- Check all wood members for deterioration and splinters. Sand down splinters and replace deteriorating wood members.
- Reinstall any plastic parts, such as swing seats or any other items that were removed for the cold season.
- Rake and check depth of loose fill protective surfacing materials to prevent compaction and to maintain appropriate depth. Replace as necessary.

### Twice a month during play season:

- Tighten all hardware.
- Check all protective coverings on bolts, pipes, edges, and corners. Replace if they are loose, cracked, or missing.
- Rake and check depth of loose fill protective surfacing materials to prevent compaction and to maintain appropriate depth. Replace as necessary.

### Once a month during play season:

- Lubricate all metallic moving parts per manufacturer's instructions.
- Check all moving parts including swing seats, ropes, cables, and chains for wear, rust, or other deterioration. Replace as needed.
- At the end of each play season or when the temperature drops below 10°F remove plastic swing seats, tents, sandbox cover, tire swing, slide and other items as specified by the manufacturer and take indoors or do not use.
- Rake and check depth of loose fill protective surfacing materials to prevent compaction and to maintain appropriate depth. Replace as necessary.

**When you are ready to dispose of your playset, make sure that all metal, plastic and wood components are disposed of in accordance with local waste ordinances.**

**Buyer and/or owner should disassemble and dispose of the playground equipment in such a way that no unreasonable hazards will exist at the time the swing set is discarded.**

# PLAYGROUND SURFACING MATERIALS

## SECTION 4 OF THE CONSUMER PRODUCT SAFETY COMMISSION'S OUTDOOR HOME PLAYGROUND SAFETY HANDBOOK<sup>9</sup>

### Select Protective Surfacing

One of the most important things you can do to reduce the likelihood of serious head injuries is to install shock-absorbing protective surfacing under and around your play equipment. The protective surfacing should be applied to a depth that is suitable for the equipment height in accordance with ASTM Specification F 1292. There are different types of surfacing to choose from; whichever product you select, follow these guidelines:

**NOTE:** Do not install home playground equipment over concrete, asphalt, or any other hard surface. A fall onto a hard surface can result in serious injury to the equipment user. Grass and dirt are not considered protective surfacing because wear and environmental factors can reduce their shock absorbing effectiveness. Carpeting and thin mats are generally not adequate protective surfacing. Ground level equipment – such as a sandbox, activity wall, playhouse or other equipment that has no elevated play surface – does not need any protective surfacing.

### Loose-Fill Materials:

- Maintain a minimum depth of 9 inches of loose-fill materials such as wood mulch/chips, engineered wood fiber (EWF), or shredded/recycled rubber mulch for equipment up to 8 feet high; and 9 inches of sand or pea gravel for equipment up to 5 feet high. NOTE: An initial fill level of 12 inches will compress to about a 9-inch depth of surfacing over time. The surfacing will also compact, displace, and settle, and should be periodically refilled to maintain at least a 9-inch depth.
- Use a minimum of 6 inches of protective surfacing for play equipment less than 4 feet in height. If maintained properly, this should be adequate. (At depths less than 6 inches, the protective material is too easily displaced or compacted.)
- Use containment, such as digging out around the perimeter and/or lining the perimeter with landscape edging. Don't forget to account for water drainage. U.S. Consumer Product Safety Commission, Washington, D.C., 20207 or call the toll-free hotline :1-800-638-2772
- Check and maintain the depth of the loose-fill surfacing material. To maintain the right amount of loose-fill materials, mark the correct level on play equipment support posts. That way you can easily see when to replenish and/or redistribute the surfacing.
- Do not** install loose fill surfacing over hard surfaces such as concrete or asphalt.

### Poured-In-Place Surfaces or Pre-Manufactured Rubber Tiles:

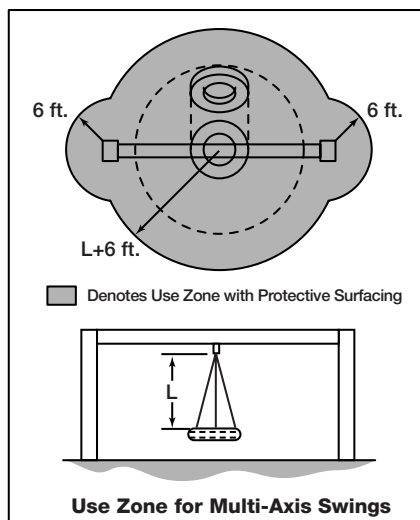
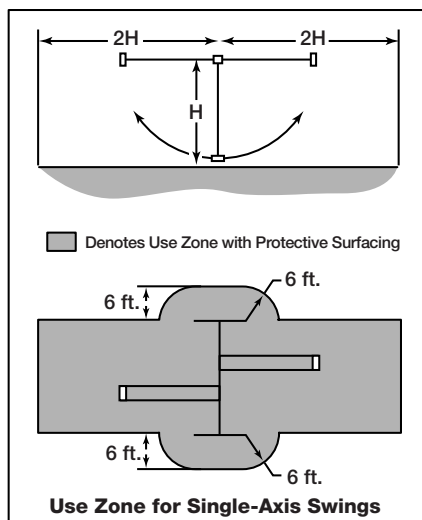
You may be interested in using surfacing other than loose-fill materials – like rubber tiles or poured-in-place surfaces.

- Installations of these surfaces generally require a professional and are not “do-it-yourself” projects.
- Review surface specifications before purchasing this type of surfacing. Ask the installer/manufacture for a report showing that the product has been tested to the following safety standard: ASTM F 1292 Standard Specification for Impact Attenuation of Surfacing Materials within the Use Zone of Playground Equipment. This report should show the specific height for which the surface is intended to protect against serious head injury. This height should be equal to or greater than the fall height – vertical distance between a designated play surface (elevated surface for standing, sitting, or climbing) and the protective surfacing below – of your play equipment.
- Check the protective surfacing frequently for wear.

### Placement

Proper placement and maintenance of protective surfacing is essential. Be sure to

- Extend surfacing at least 6 feet from the equipment in all directions.
- For to-fro swings, extend protective surfacing in front of and behind the swing to a distance equal to twice the height of the top bar from which the swing is suspended.
- For tire swings, extend surfacing in a circle whose radius is equal to the height of the suspending chain or rope, plus 6 feet in all directions.

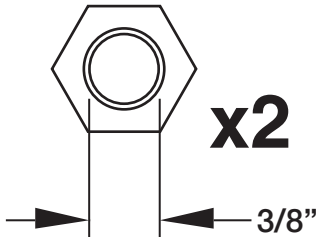


<sup>9</sup> This information has been extracted from the CPSC publications “Playground Surfacing—Technical Information Guide” and “Handbook for Public Playground Safety.” Copies of these reports can be obtained by sending a postcard to the: Office of Public Affairs, U.S. Consumer Product Safety Commission, Washington, D.C., 20207 or call the toll-free hotline: 1-800-638-2772

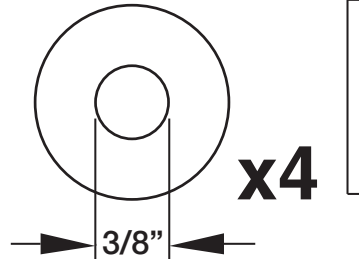
# PARTS LIST

A C T U A L   S I Z E   S H O W N

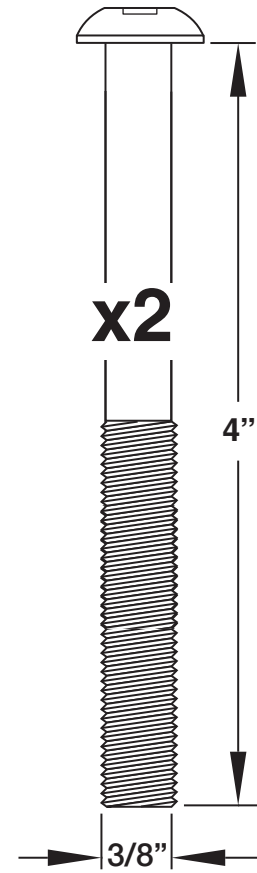
3/8"  
LOCK NUTS



3/8" FLAT WASHER



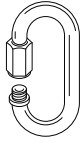
3/8" x 4"  
BUTTON HD.  
SCREW





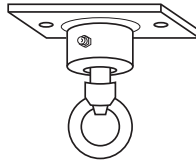
# PARTS LIST

**Quick Clip**



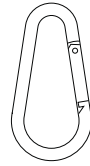
x3

**Tire Swing Hanger**



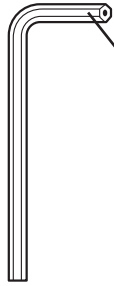
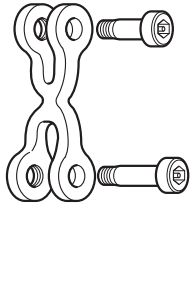
x1

**Spring Clip**



x1

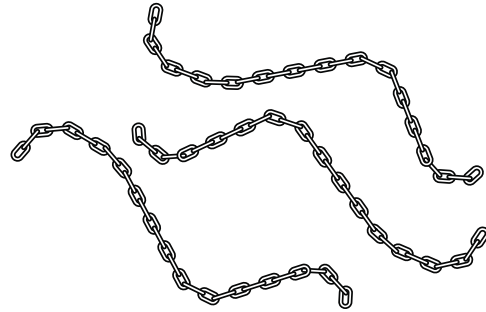
**Double Clevis Pin**



Wrench  
(included)  
x1

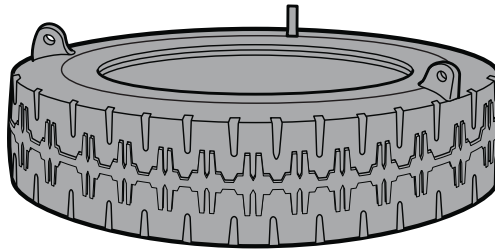
x3

**36" Chains**



x3

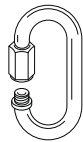
**Roto-Tire**



x1

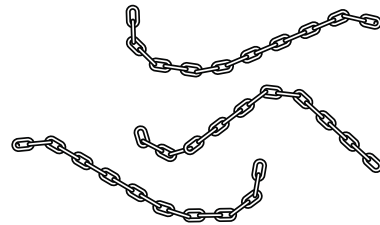
## PARTS BELOW ARE INCLUDED IF YOU HAVE 84" DECK

**Quick Clip**



x3

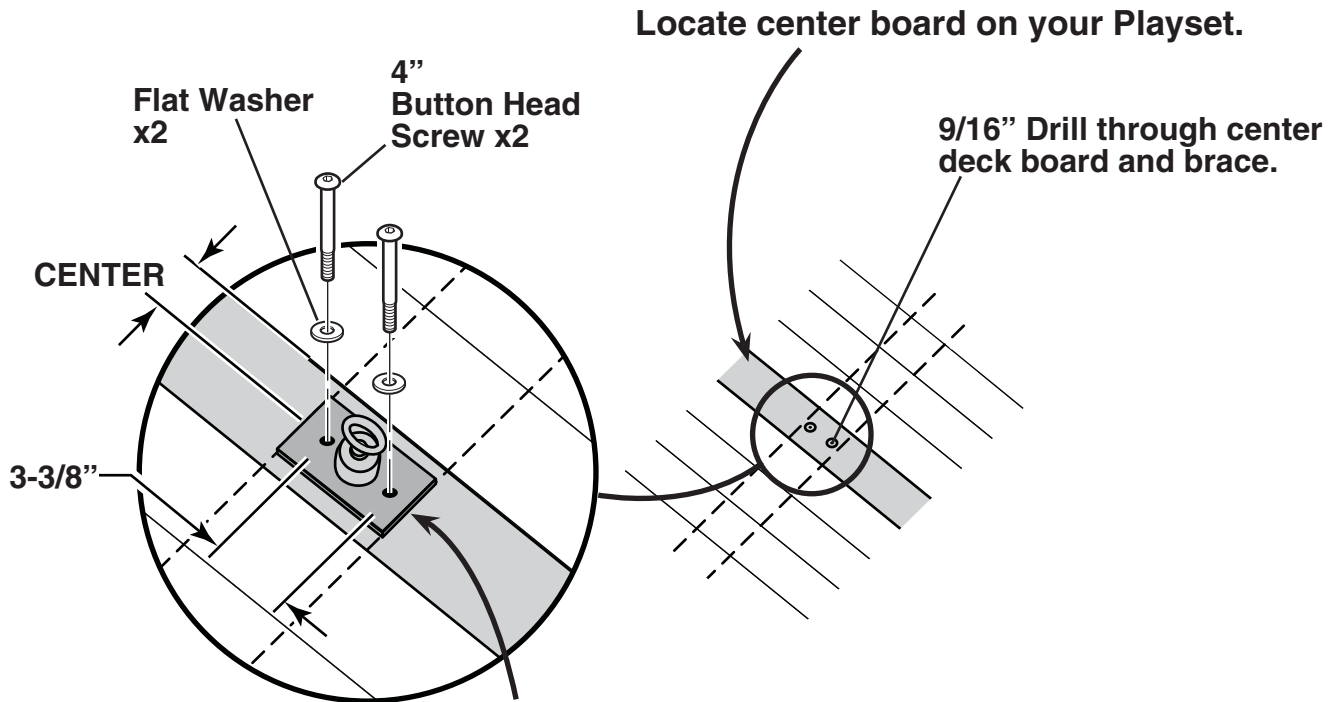
**24" Chains**



x3

## TIRE SWING SUPPORT

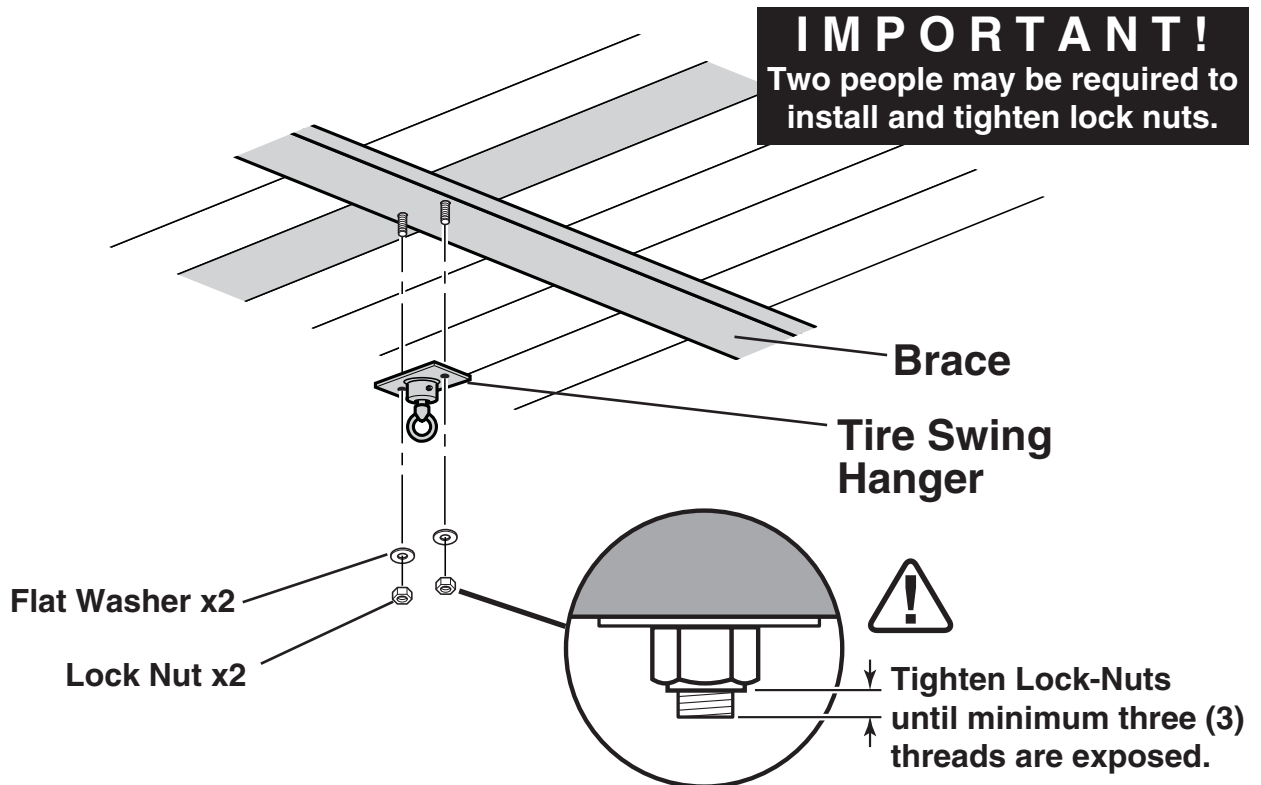
## BUTTON HEAD BOLTS



**HINT: USE TIRE HANGER AS A GUIDE FOR 3-3/8" HOLE SPACING. MARK AND DRILL.**

## TIRE SWING HANGER

## INSTALL



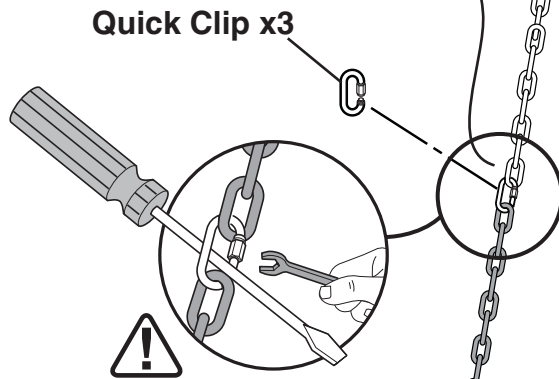
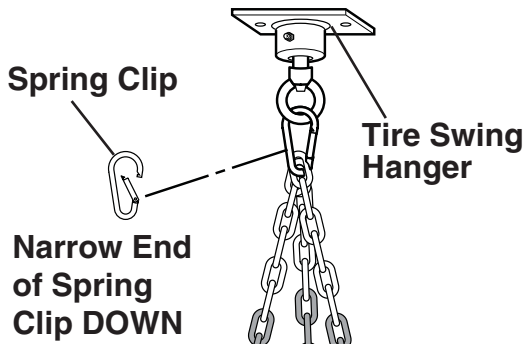
# TIRE SWING

# ASSEMBLE & INSTALL

 REFER TO THE FOLLOWING INSTRUCTIONS FOR QUICK CLIP INSTALL AT CLEVIS.

**For 60" Deck connect 36" chains using Spring Clip.**

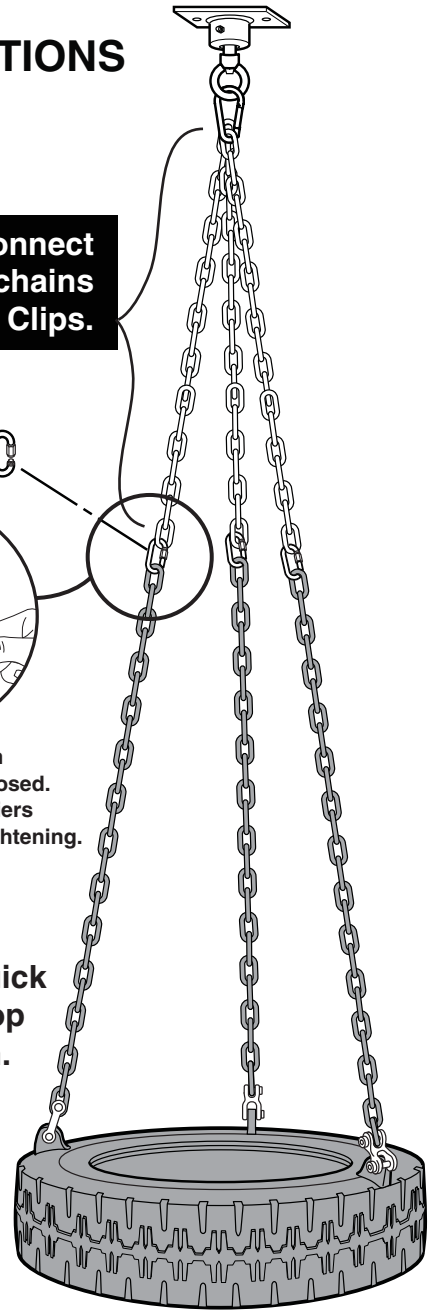
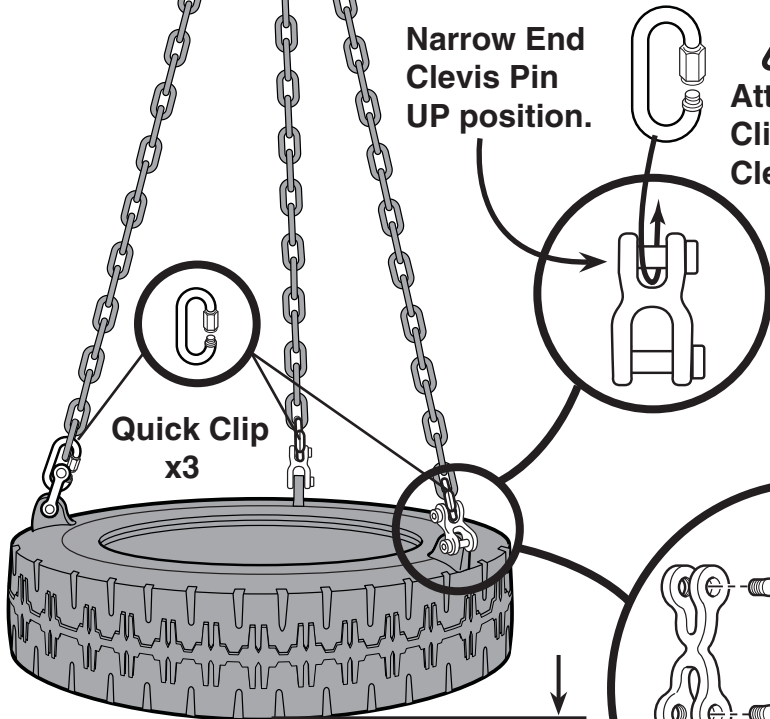
**For 84" Deck connect 24" chains to 36" chains using (3) Quick Clips.**



- Use a wrench to tighten Quick Clips securely closed.
- Hold Quick Clip with pliers or screwdriver while tightening.

Narrow End Clevis Pin UP position.

 Attach Quick Clips to top Clevis Pin.



 Use allen wrench to tighten Clevis Pins securely closed.

8" minimum between Tire and ground. Adjust Chains at Top.

# WARRANTY

Backyard Play Systems warrants the following:

1. All wood and plastic (polymer) coated wood components have a Limited Lifetime Warranty.
  - Treated Wood - Backyard Play Systems will replace treated wood which becomes structurally unfit due solely to damage caused by fungal decay or termites.
  - Plastic (Polymer) Coated Woodguard TM – Backyard Play Systems will replace Woodguard TM components which become structurally unfit due solely to damage caused by fungal decay or termites. The plastic coating color can fade naturally over time. This warranty excludes color fading.
2. All non-wood components\* have a three year Limited Warranty.
  - \*Ropes carry a one year Limited Warranty.
3. Installation labor has a three year Limited Warranty applicable on playsets installed by Backyard Play Systems. Labor warranty does NOT apply to Do-It-Yourself playset kits or kits installed by a third party.

Backyard Play Systems will repair, replace or pay for the affected part at our discretion. In no event shall Backyard Play Systems pay the cost of labor or installation or any other costs related thereto.

Non-residential use of the system is prohibited and will void this warranty as the system is designed for residential use only.

## Conditions

The warranty is effective only when:

1. The unit has been erected in accordance with the assembly instructions.
  - Plastic end caps and hole plugs have been properly installed on plastic coated wood.
2. The unit has been regularly and properly maintained and inspected.
3. The failure occurs when the unit is owned by the original purchaser.
4. This warranty is non-transferable
5. Backyard Play Systems has received a copy of your original proof of purchase with any claims in writing.
6. Backyard Play Systems has had reasonable opportunity during the sixty (60) days following the receipt of notification to inspect and verify the failure prior to commencement of any repair work.
7. "Significant color changes" to wood components is at the discretion of Backyard Products and require proof in the form of photographs or inspection by Backyard Play Systems.

Wooden components may have imperfections such as checks and knots. These are natural blemishes and imperfections which are inherent to wood. The imperfections not resulting in structural failure are not covered under this warranty.

## Requirements

To validate your warranty it is necessary to fill out and mail in the enclosed warranty card. And also to maintain and inspect your playset regularly. Regularly is defined as once per start and end of season.

## Claim Procedure

To make a claim under this warranty, you can either call 1-866-890-2211 or prepare a letter. Please have ready the information below when you call or include the information in writing:

1. The model and size of the product.
2. A list of the part(s) for which the claim is made.
3. Proof of purchase of the Backyard Play Systems item, as shown on the original invoice.
4. Run Code, as listed on the enclosed warranty card.

Mail the above information to:

Backyard Play Systems  
Attn: Customer Service  
1000 Ternes Dr.  
Monroe, MI 48162

# WARRANTY

Please feel free to call our Consumer Help Line Toll Free

**1-866-890-2211**

**April through October M - F 8:00 AM to 7:00 PM EST**

**Saturday 8:30 AM to 4:30 PM EST**

**November through March M - F 8:00 AM to 5:00 PM EST**

No warranty is offered on the following: (1) equipment subject to abuse, negligence, improper installation, vandalism, acts of God, unauthorized alteration or attachment to equipment other than our own: or (2) equipment subjected to improper use, service or repair by customer or any third party.

**To the maximum extent permitted by law, this warranty and the remedies set forth herein are exclusive and expressly in lieu of all other warranties, expressed or implied, including warranties of merchantability or fitness for a particular purpose. If Backyard Play Systems cannot disclaim or exclude implied warranties under applicable law, then to the extent possible any claims under any such implied warranties shall expire on expiration of the applicable warranty period. Some states do not allow limitations on how long an implied warranty lasts, so the above limitation may or may not apply to you. Backyard Play Systems does not assume, or authorize any person to assume for us, any other liability in connection with the sale of our products.**

**To the maximum extent of the law, Backyard Play Systems assumes no responsibility for incidental or consequential damages which may arise from the purchase or use of our playset or equipment. Some states do not allow the exclusion or limitation of incidental or consequential damages, so the above limitation or exclusion may not apply to you.**

If any provision of this limited warranty is invalid, void or unenforceable in any instance or respect, the unenforceable provision will be severed and reformed to effect the intent of this limited warranty to the maximum extent possible, and the remaining provisions shall continue in full force and effect and shall be enforced to the full extent permitted by law.

This warranty gives you specific legal rights, and you may also have other rights which vary from state to state.

- WARRANTY TERMS MAY VARY OUTSIDE THE U.S.A.**
- This manual is your warranty certificate. Please retain your original proof of purchase and this manual for any warranty claims.